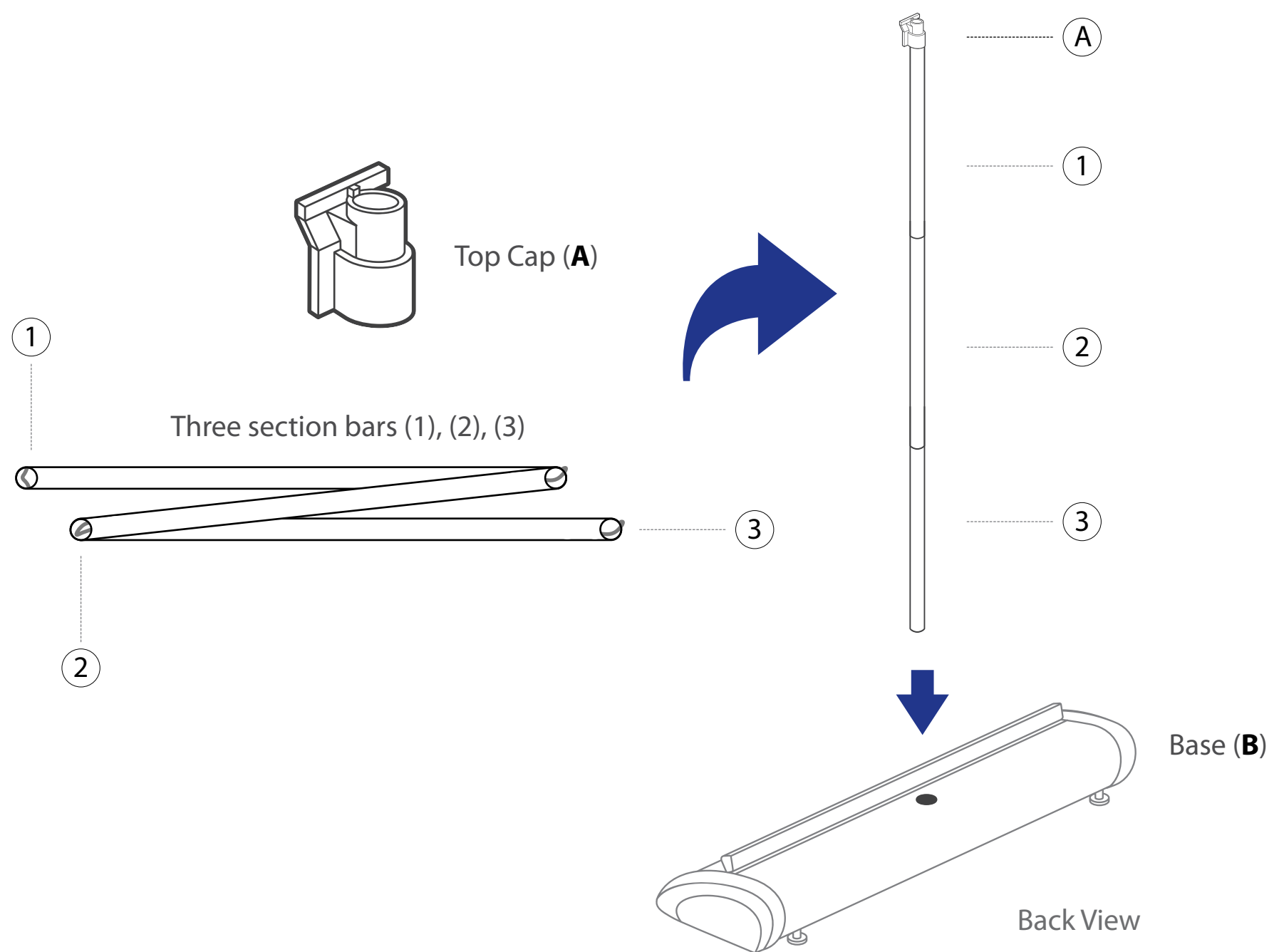


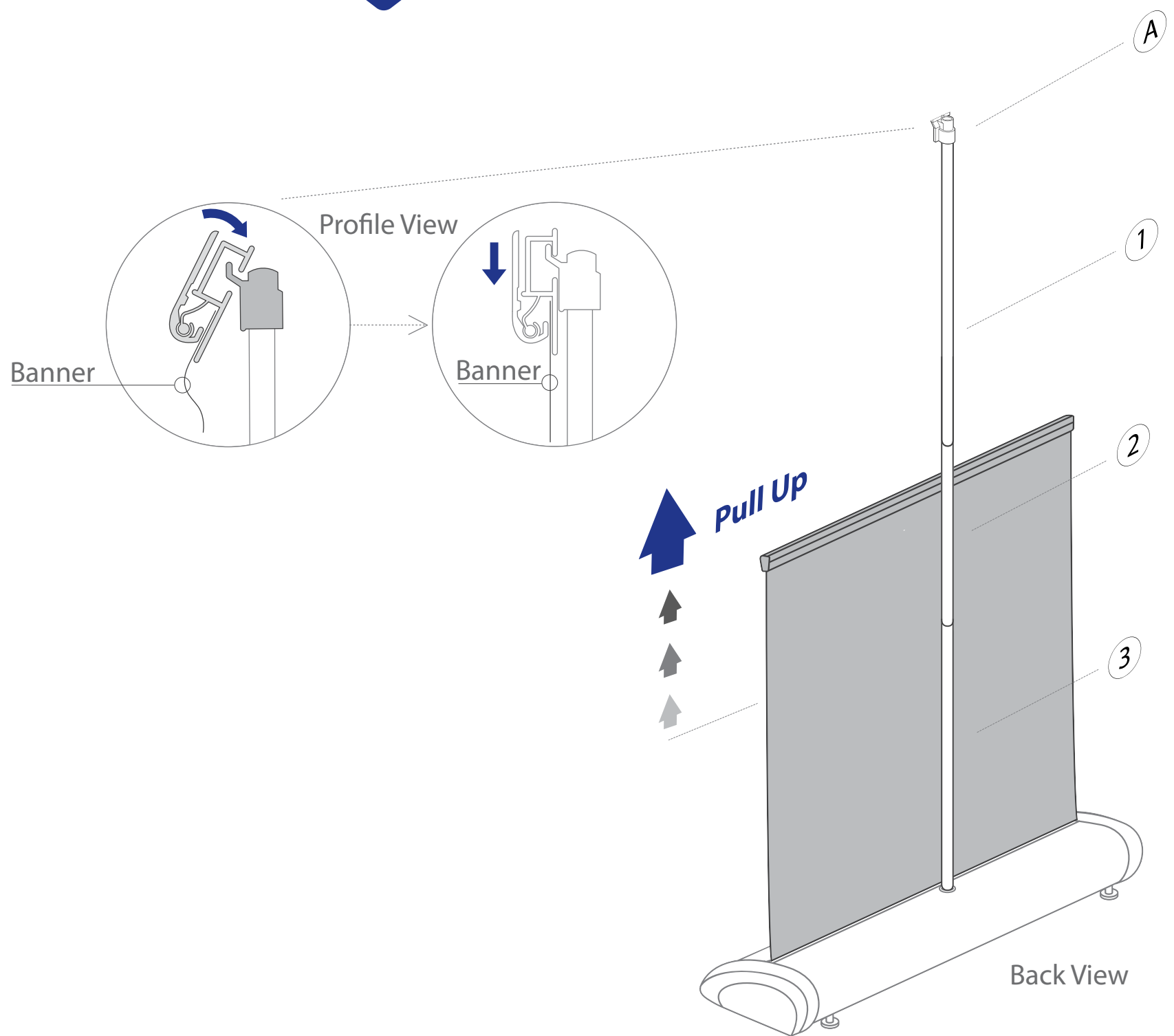
1

STRAIGHTEN THE CONNECTED BARS, INSERT THE BOTTOM END INTO THE BASE, AND CONNECT EACH SECTION UNTIL ALL THREE ARE ASSEMBLED AND UPRIGHT.



2

PULL THE BANNER UP FROM THE BASE AND CONNECT THE TOP CAP OF THE POLE TO THE TOP RAIL, MAKING SURE TO ALIGN THE POLE TO THE STICKER MARKED "INSERT!"



3

ENSURE THE BANNER STANDS STRAIGHT AND TAUT BY ADJUSTING THE TENSION RODS IF NECESSARY, ENSURING IT'S SECURELY IN PLACE FOR DISPLAY.

